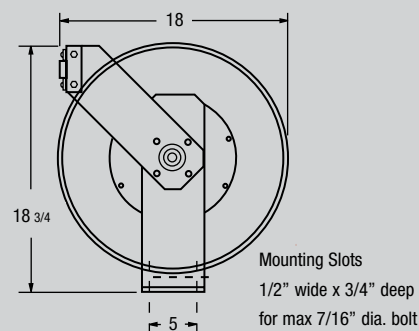


HOSETRACT

HOSE REELS



Reels shipped standard sf hose payout position. For ceiling mount add suffix sc.



Oxy Inlet — 1/4" FPT
Acet Inlet — 1/4" FPT

Max. Temp. — 200°F



For 1/4" Siamese Hose

Oxygen/Acetylene Hose Reel

Reel is ideally applied when space and safety is required in the welding & cutting area. The reel is capable of storing and dispensing 50' length of twin siamese welding hose.

FEATURES

- The exclusive dual hex was designed by the original designer of this dual body concept
- The major advantage of the swivel design is that in the event of an O-ring failure, the gases will go to atmosphere instead of mixing
- Safety banded drive spring
- The swivel is marked for the acetylene side with notches on the hex nuts for easy identification
- Beaded edges on spool prevents hose damage or injury to operator
- 8-position guide arm

| | Model Number | Operating Pressure | Hose I.D. | Hose Length | Shipping Weight |
|---|--------------|--------------------|-----------|---------------|-----------------|
| | COA-200* | 1000 PSI | 1/4 IN. | — | 43# |
|  | COA-250 | 200 PSI | 1/4 IN. | 50 FT. (Twin) | 54# |
| | UTL-200-OA* | 1000 PSI | 1/4 IN. | — | 36# |
|  | UTL-250-OA | 200 PSI | 1/4 IN. | 50 FT. (Twin) | 44# |

COA models are the C series, heavy duty standard reels.

UTL models are the Unitract series, lighter duty reels not designed for truck mount applications.

* Models without hose.



Hosetract Industries, LTD. • P: 260.489.8828 • F: 260.489.6088