

HOSETRACT

HOSE REELS

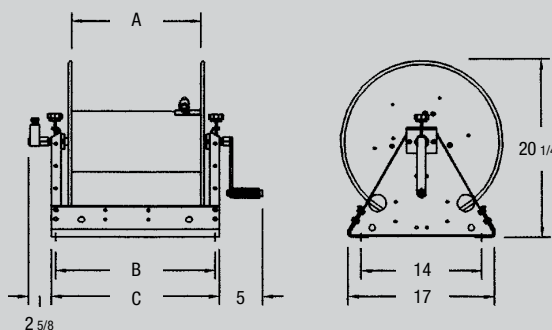


All reels shipped less hose unless requested on quote basis.

Inlet — 1/2" FPT Max. Temp. — 200°F

Mounting holes 1/2" dia.

SERIES	DIMENSIONS		
	A	B	C
M 5	5	7 $\frac{1}{4}$	8 $\frac{3}{4}$
M 10	10	12 $\frac{3}{4}$	13 $\frac{3}{4}$
M 15	15	18 $\frac{1}{2}$	19 $\frac{1}{2}$
M 20	20	23 $\frac{1}{2}$	24 $\frac{1}{2}$
M 25	25	28 $\frac{1}{2}$	29 $\frac{1}{2}$



For 3/8" and 1/2" Hose I.D.

M Series

MANUAL DRIVEN HOSE REELS. REEL is ideally applied where long lengths of hose are required, as in Agriculture, Power Wash, Pest Control and Construction trades. Hose can be dispensed and retracted with greater ease and expedience than coiling by hand.

FEATURES

- Flow through shaft for universal installation
- Self lubricating ABS bearings
- External swivel - standardized O-rings can be changed by simply removing one retaining ring
- Fully adjustable nylon brake - adjust tension with hand knob
- Mounting base is light and strong

Model Number	Operating Pressure	Capacity Hose I.D.		Shipping Weight
		3/8"	1/2"	
M 5-5	4000 PSI	100 FT.	75 FT.	30#
M 10-5	4000 PSI	250 FT.	175 FT.	37#
M 15-5	4000 PSI	350 FT.	275 FT.	49#
M 20-5	4000 PSI	450 FT.	375 FT.	59#
M 25-5	4000 PSI	550 FT.	475 FT.	72#

Guide system available for 10", 15", 20", 25" wide reels. Sold seperately (page 20).
M Series Hose Reels also available in stainless steel. Call factory for more details.