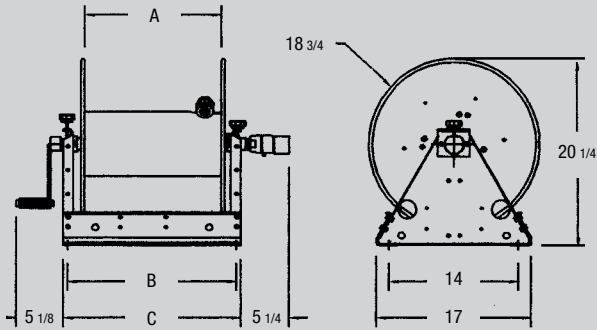


HOSETRACT

HOSE REELS

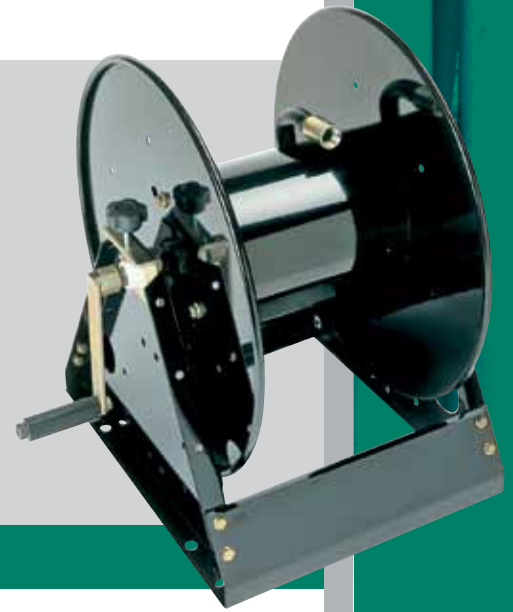
Inlet — 1" FPT Max. Temp. — 200°F



All reels shipped less hose unless requested on quote basis.

Mounting holes 1/2" dia.

SERIES	DIMENSIONS		
	A	B	C
M 10	10	12 $\frac{3}{4}$	13 $\frac{3}{4}$
M 15	15	18 $\frac{1}{2}$	19 $\frac{1}{2}$
M 20	20	23 $\frac{1}{2}$	24 $\frac{1}{2}$
M 25	25	28 $\frac{1}{2}$	29 $\frac{1}{2}$



For 3/4" and 1" Hose I.D.

M Series

MANUAL DRIVEN HOSE REELS. REEL is ideally applied where long lengths of hose are required, as in Agriculture, Power Wash, Pest Control and Construction trades. Hose can be dispensed and retracted with greater ease and expedience than coiling by hand.

FEATURES

- Flow through shaft for left or right hand installation
- Self lubricating ABS bearings
- External swivel - standardized O-rings can be changed by simply removing one retaining ring
- Fully adjustable nylon brake - adjust tension with hand knob
- Mounting base is light and strong

Model Number	Operating Pressure	Capacity Hose I.D.		Shipping Weight
		3/4"	1"	
M 10-10	300 PSI	75 FT.	50 FT.	40#
M 15-10	300 PSI	100 FT.	75 FT.	49#
M 20-10	300 PSI	125 FT.	100 FT.	59#
M 25-10	300 PSI	150 FT.	125 FT.	72#

Guide system available for 10", 15", 20", 25" wide reels. Sold seperately (page 20).

