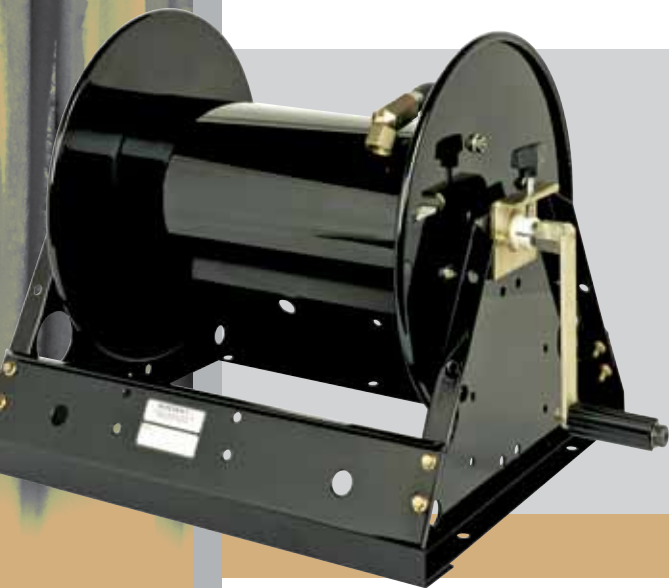


# HOSETRACT

## HOSE REELS

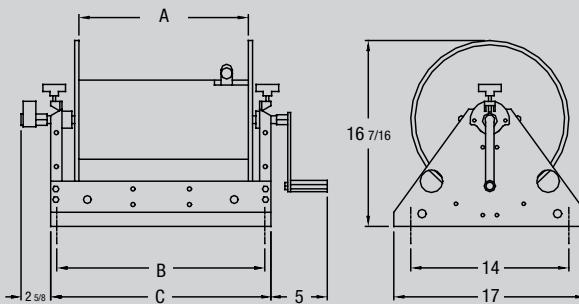


All reels shipped less hose unless requested on quote basis.

Inlet — 1/2" FPT Max. Temp. — 200°F

Mounting holes 1/2" dia.

SERIES	DIMENSIONS		
	A	B	C
LOW PRO			
M 5-5	5	7 3/4	8 3/4
M 10-5	10	12 3/4	13 3/4
M 15-5	15	18 1/2	19 1/2
M 20-5	20	23 1/2	24 1/2
M 25-5	25	28 1/2	29 1/2



For 3/8" and 1/2" Hose I.D.

## Low-Pro Series

**MANUAL DRIVEN HOSE REELS. REEL** is ideally applied where long lengths of hose are required, as in Agriculture, Power Wash, Pest Maintenance, and Construction trades. Hose can be dispensed and retracted with greater ease and expedience than coiling by hand. The Low-Pro series fits easily into height restricted areas.

### FEATURES

- Fits into areas where less head room is available
- Flow through shaft for left or right hand installation
- Self lubricating ABS bearings
- Mounting base is light and strong
- External swivel-standardized O-rings can be changed by simply removing one retaining ring
- Fully adjustable brake - adjust tension with hand knob

Model Number	Operating Pressure	Capacity Hose I.D.		Shipping Weight
		3/8"	1/2"	
M 5-5 Low-Pro	4000 PSI	75 FT.	50 FT.	30#
M 10-5 Low-Pro	4000 PSI	150 FT.	100 FT.	37#
M 15-5 Low-Pro	4000 PSI	225 FT.	150 FT.	49#
M 20-5 Low-Pro	4000 PSI	300 FT.	200 FT.	59#
M 25-5 Low-Pro	4000 PSI	375 FT.	250 FT.	72#

Guide system available for 10", 15", 20", 25" wide reels. Sold seperately (page 20).